

Inventory Control Form

2.4 mm/2.7 mm VA-LCP Forefoot/Midfoot Plating System



Patient Information:

| | |
|---|---|
| Synthes (USA) To Order: (800) 523-0322 | Synthes (Canada) Ltd. To Order: (800) 668-1119 |
|---|---|

Date: _____

Hospital: _____

Surgeon: _____

Procedure: _____

Implants

2.4 mm/2.7 mm VA-LCP First MTP Fusion Plates

Small

| | | | |
|--------------------------|------------|-----|-------|
| <input type="checkbox"/> | 02.211.230 | 0° | right |
| <input type="checkbox"/> | 02.211.231 | 0° | left |
| <input type="checkbox"/> | 02.211.232 | 5° | right |
| <input type="checkbox"/> | 02.211.233 | 5° | left |
| <input type="checkbox"/> | 02.211.234 | 10° | right |
| <input type="checkbox"/> | 02.211.235 | 10° | left |



Medium

| | | | |
|--------------------------|------------|-----|-------|
| <input type="checkbox"/> | 02.211.236 | 0° | right |
| <input type="checkbox"/> | 02.211.237 | 0° | left |
| <input type="checkbox"/> | 02.211.238 | 5° | right |
| <input type="checkbox"/> | 02.211.239 | 5° | left |
| <input type="checkbox"/> | 02.211.240 | 10° | right |
| <input type="checkbox"/> | 02.211.241 | 10° | left |



Large

| | | | |
|--------------------------|------------|----|-------|
| <input type="checkbox"/> | 02.211.242 | 5° | right |
| <input type="checkbox"/> | 02.211.243 | 5° | left |



Revision

| | | | |
|--------------------------|------------|----|-------|
| <input type="checkbox"/> | 02.211.244 | 0° | right |
| <input type="checkbox"/> | 02.211.245 | 0° | left |



2.4 mm/2.7 mm VA-LCP TMT Fusion Plates

| | | |
|--------------------------|------------|----------------------------------|
| <input type="checkbox"/> | 02.211.246 | First TMT Fusion Plate, standard |
| <input type="checkbox"/> | 02.211.247 | First TMT Fusion Plate, large |
| <input type="checkbox"/> | 02.211.266 | TMT Fusion Plate |



General Fusion Plates

2.4 mm/2.7 mm VA-LCP Cloverleaf Fusion Plates

| | | |
|--------------------------|------------|----------|
| <input type="checkbox"/> | 02.211.250 | Short |
| <input type="checkbox"/> | 02.211.251 | Standard |
| <input type="checkbox"/> | 02.211.252 | Long |



2.4 mm/2.7 mm VA-LCP T-Fusion Plates

| | HEAD HOLES | | |
|--------------------------|------------|---|------------|
| <input type="checkbox"/> | 02.211.253 | 2 | Short |
| <input type="checkbox"/> | 02.211.254 | 2 | Standard |
| <input type="checkbox"/> | 02.211.255 | 2 | Long |
| <input type="checkbox"/> | 02.211.265 | 3 | Extra Long |



2.4 mm/2.7 mm VA-LCP L-Fusion Plates

| | | | |
|--------------------------|------------|------------|-------|
| <input type="checkbox"/> | 02.211.256 | Short | right |
| <input type="checkbox"/> | 02.211.257 | Short | left |
| <input type="checkbox"/> | 02.211.258 | Standard | right |
| <input type="checkbox"/> | 02.211.259 | Standard | left |
| <input type="checkbox"/> | 02.211.260 | Long | right |
| <input type="checkbox"/> | 02.211.261 | Extra Long | left |



2.4 mm/2.7 mm VA-Locking X-plates

| | | |
|--------------------------|------------|-------------|
| <input type="checkbox"/> | 02.211.201 | Extra Small |
| <input type="checkbox"/> | 02.211.202 | Small |
| <input type="checkbox"/> | 02.211.203 | Medium |
| <input type="checkbox"/> | 02.211.204 | Large |



Implants (cont'd)

2.4 mm/2.7 mm VA-Locking Straight Fusion Plates

| | | HOLES |
|--------------------------|------------|-------|
| <input type="checkbox"/> | 02.211.262 | 2 |
| <input type="checkbox"/> | 02.211.263 | 4 |



2.4 mm/2.7 mm VA-Locking Opening Wedge Plates

| | | SPACER |
|--------------------------|------------|-----------|
| <input type="checkbox"/> | 02.211.210 | No Spacer |
| <input type="checkbox"/> | 02.211.211 | 3 mm |
| <input type="checkbox"/> | 02.211.212 | 4 mm |
| <input type="checkbox"/> | 02.211.213 | 5 mm |
| <input type="checkbox"/> | 02.211.214 | 6 mm |
| <input type="checkbox"/> | 02.211.215 | 7 mm |



2.4 mm/2.7 mm VA-Locking Tarsal and Mesh Plates

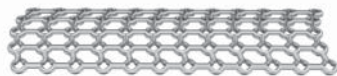
| | | |
|--------------------------|------------|--|
| <input type="checkbox"/> | 02.211.220 | 2.4 mm/2.7 mm VA-Locking Navicular Plate |
|--------------------------|------------|--|



| | | |
|--------------------------|------------|--|
| <input type="checkbox"/> | 02.211.221 | 2.4 mm/2.7 mm VA-Locking Cuboid Plate, left |
| <input type="checkbox"/> | 02.211.222 | 2.4 mm/2.7 mm VA-Locking Cuboid Plate, right |



| | | |
|--------------------------|------------|---|
| <input type="checkbox"/> | 02.211.224 | 2.4 mm/2.7 mm VA-Locking Mesh Plate, 5X12 holes |
|--------------------------|------------|---|



1.6 mm Compression Wires



| | | THREAD LENGTH | TOTAL LENGTH |
|--------------------------|------------|---------------|--------------|
| <input type="checkbox"/> | 03.211.410 | 10 mm | 150 mm |
| <input type="checkbox"/> | 03.211.415 | 15 mm | 150 mm |
| <input type="checkbox"/> | 03.211.420 | 20 mm | 150 mm |
| <input type="checkbox"/> | 03.211.425 | 25 mm | 150 mm |
| <input type="checkbox"/> | 03.211.430 | 30 mm | 150 mm |
| <input type="checkbox"/> | 03.211.435 | 35 mm | 150 mm |
| <input type="checkbox"/> | 03.211.440 | 40 mm | 150 mm |

2.7 mm Variable Angle Locking Screws, self-tapping, with T8 StarDrive recess



| | | LENGTH | | | LENGTH |
|--------------------------|------------|--------|--------------------------|------------|--------|
| <input type="checkbox"/> | 02.211.010 | 10 mm | <input type="checkbox"/> | 02.211.036 | 36 mm |
| <input type="checkbox"/> | 02.211.012 | 12 mm | <input type="checkbox"/> | 02.211.038 | 38 mm |
| <input type="checkbox"/> | 02.211.014 | 14 mm | <input type="checkbox"/> | 02.211.040 | 40 mm |
| <input type="checkbox"/> | 02.211.016 | 16 mm | <input type="checkbox"/> | 02.211.042 | 42 mm |
| <input type="checkbox"/> | 02.211.018 | 18 mm | <input type="checkbox"/> | 02.211.044 | 44 mm |
| <input type="checkbox"/> | 02.211.020 | 20 mm | <input type="checkbox"/> | 02.211.046 | 46 mm |
| <input type="checkbox"/> | 02.211.022 | 22 mm | <input type="checkbox"/> | 02.211.048 | 48 mm |
| <input type="checkbox"/> | 02.211.024 | 24 mm | <input type="checkbox"/> | 02.211.050 | 50 mm |
| <input type="checkbox"/> | 02.211.026 | 26 mm | <input type="checkbox"/> | 02.211.052 | 52 mm |
| <input type="checkbox"/> | 02.211.028 | 28 mm | <input type="checkbox"/> | 02.211.054 | 54 mm |
| <input type="checkbox"/> | 02.211.030 | 30 mm | <input type="checkbox"/> | 02.211.056 | 56 mm |
| <input type="checkbox"/> | 02.211.032 | 32 mm | <input type="checkbox"/> | 02.211.058 | 58 mm |
| <input type="checkbox"/> | 02.211.034 | 34 mm | <input type="checkbox"/> | 02.211.060 | 60 mm |

2.7 mm Cortex Screws, self-tapping, with T8 StarDrive recess



| | | LENGTH | | | LENGTH |
|--------------------------|---------|--------|--------------------------|---------|--------|
| <input type="checkbox"/> | 202.870 | 10 mm | <input type="checkbox"/> | 202.894 | 34 mm |
| <input type="checkbox"/> | 202.872 | 12 mm | <input type="checkbox"/> | 202.896 | 36 mm |
| <input type="checkbox"/> | 202.874 | 14 mm | <input type="checkbox"/> | 202.898 | 38 mm |
| <input type="checkbox"/> | 202.876 | 16 mm | <input type="checkbox"/> | 202.900 | 40 mm |
| <input type="checkbox"/> | 202.878 | 18 mm | <input type="checkbox"/> | 202.962 | 42 mm |
| <input type="checkbox"/> | 202.880 | 20 mm | <input type="checkbox"/> | 202.963 | 44 mm |
| <input type="checkbox"/> | 202.882 | 22 mm | <input type="checkbox"/> | 202.965 | 46 mm |
| <input type="checkbox"/> | 202.884 | 24 mm | <input type="checkbox"/> | 202.966 | 48 mm |
| <input type="checkbox"/> | 202.886 | 26 mm | <input type="checkbox"/> | 202.967 | 50 mm |
| <input type="checkbox"/> | 202.888 | 28 mm | <input type="checkbox"/> | 202.968 | 55 mm |
| <input type="checkbox"/> | 202.890 | 30 mm | <input type="checkbox"/> | 202.969 | 60 mm |
| <input type="checkbox"/> | 202.892 | 32 mm | | | |

2.4 mm Variable Angle Locking Screws, self-tapping, with T8 StarDrive recess



| | | LENGTH | | | LENGTH |
|--------------------------|------------|--------|--------------------------|------------|--------|
| <input type="checkbox"/> | 02.210.110 | 10 mm | <input type="checkbox"/> | 02.210.136 | 36 mm |
| <input type="checkbox"/> | 02.210.112 | 12 mm | <input type="checkbox"/> | 02.210.138 | 38 mm |
| <input type="checkbox"/> | 02.210.114 | 14 mm | <input type="checkbox"/> | 02.210.140 | 40 mm |
| <input type="checkbox"/> | 02.210.116 | 16 mm | <input type="checkbox"/> | 02.210.142 | 42 mm |
| <input type="checkbox"/> | 02.210.118 | 18 mm | <input type="checkbox"/> | 02.210.144 | 44 mm |
| <input type="checkbox"/> | 02.210.120 | 20 mm | <input type="checkbox"/> | 02.210.146 | 46 mm |
| <input type="checkbox"/> | 02.210.122 | 22 mm | <input type="checkbox"/> | 02.210.148 | 48 mm |
| <input type="checkbox"/> | 02.210.124 | 24 mm | <input type="checkbox"/> | 02.210.150 | 50 mm |
| <input type="checkbox"/> | 02.210.126 | 26 mm | <input type="checkbox"/> | 02.210.152 | 52 mm |
| <input type="checkbox"/> | 02.210.128 | 28 mm | <input type="checkbox"/> | 02.210.154 | 54 mm |
| <input type="checkbox"/> | 02.210.130 | 30 mm | <input type="checkbox"/> | 02.210.156 | 56 mm |
| <input type="checkbox"/> | 02.210.132 | 32 mm | <input type="checkbox"/> | 02.210.158 | 58 mm |
| <input type="checkbox"/> | 02.210.134 | 34 mm | <input type="checkbox"/> | 02.210.160 | 60 mm |

Implants (cont'd)



2.4 mm Cortex Screws, self-tapping, with T8 StarDrive recess





| | LENGTH | | LENGTH |
|--------------------------|---------|--------------------------|------------|
| <input type="checkbox"/> | 201.760 | <input type="checkbox"/> | 201.786 |
| <input type="checkbox"/> | 10 mm | <input type="checkbox"/> | 36 mm |
| <input type="checkbox"/> | 201.762 | <input type="checkbox"/> | 201.788 |
| <input type="checkbox"/> | 12 mm | <input type="checkbox"/> | 38 mm |
| <input type="checkbox"/> | 201.764 | <input type="checkbox"/> | 201.790 |
| <input type="checkbox"/> | 14 mm | <input type="checkbox"/> | 40 mm |
| <input type="checkbox"/> | 201.766 | <input type="checkbox"/> | 02.210.942 |
| <input type="checkbox"/> | 16 mm | <input type="checkbox"/> | 42 mm |
| <input type="checkbox"/> | 201.768 | <input type="checkbox"/> | 02.210.944 |
| <input type="checkbox"/> | 18 mm | <input type="checkbox"/> | 44 mm |
| <input type="checkbox"/> | 201.770 | <input type="checkbox"/> | 02.210.946 |
| <input type="checkbox"/> | 20 mm | <input type="checkbox"/> | 46 mm |
| <input type="checkbox"/> | 201.772 | <input type="checkbox"/> | 02.210.948 |
| <input type="checkbox"/> | 22 mm | <input type="checkbox"/> | 48 mm |
| <input type="checkbox"/> | 201.774 | <input type="checkbox"/> | 02.210.950 |
| <input type="checkbox"/> | 24 mm | <input type="checkbox"/> | 50 mm |
| <input type="checkbox"/> | 201.776 | <input type="checkbox"/> | 02.210.952 |
| <input type="checkbox"/> | 26 mm | <input type="checkbox"/> | 52 mm |
| <input type="checkbox"/> | 201.778 | <input type="checkbox"/> | 02.210.954 |
| <input type="checkbox"/> | 28 mm | <input type="checkbox"/> | 54 mm |
| <input type="checkbox"/> | 201.780 | <input type="checkbox"/> | 02.210.956 |
| <input type="checkbox"/> | 30 mm | <input type="checkbox"/> | 56 mm |
| <input type="checkbox"/> | 201.782 | <input type="checkbox"/> | 02.210.958 |
| <input type="checkbox"/> | 32 mm | <input type="checkbox"/> | 58 mm |
| <input type="checkbox"/> | 201.784 | <input type="checkbox"/> | 02.210.960 |
| <input type="checkbox"/> | 34 mm | <input type="checkbox"/> | 60 mm |

Instruments

Drill Bits, quick coupling

| | | | |
|--------------------------|---------|----------------|---|
| <input type="checkbox"/> | 310.26 | 2.7 mm, 100 mm |  |
| <input type="checkbox"/> | 310.530 | 2.4 mm, 100 mm |  |

Drill Bits with depth mark, quick coupling

| | | | |
|--------------------------|---------|-------------------------------------|--|
| <input type="checkbox"/> | 323.062 | 2.0 mm, 140 mm |  |
| <input type="checkbox"/> | 310.509 | 1.8 mm, 110 mm |  |
| <input type="checkbox"/> | 292.56 | 1.6 mm K-Wire, trocar tip (10/pkg.) | |

