


A step forward in precision screw targeting.

Introducing the Screw Targeting Clamp, a specialized instrument designed with advanced screw targeting capabilities for fusion or fracture applications.

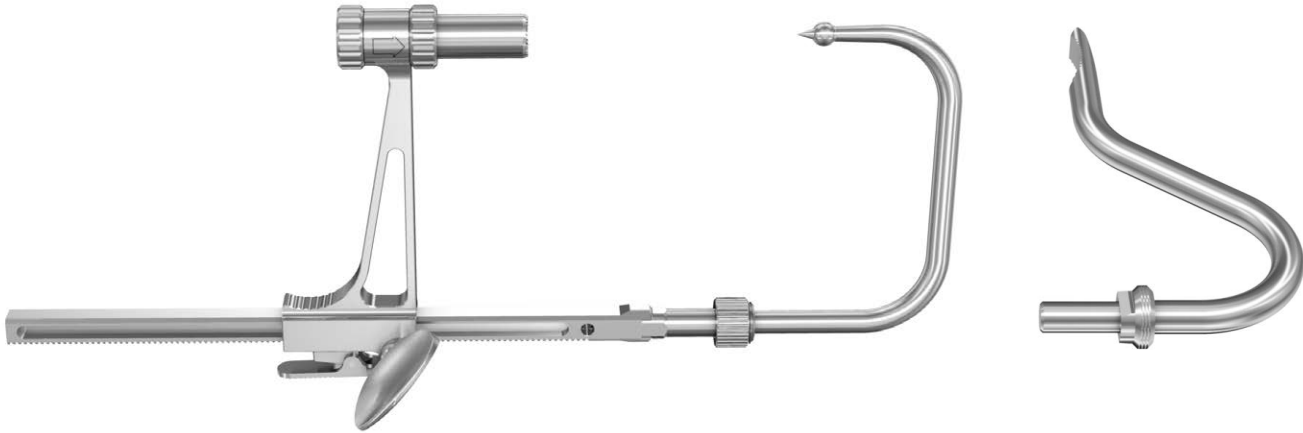


With its unique design, this instrument provides the ability to maintain compression while inserting screws through targeted areas.

An adjustable rail helps to ensure ideal screw placement of solid or cannulated screws, ranging from sizes 3.5 mm through 7.3 mm.

Interchangeable ball-spike and Hohmann arms attach to the clamp to accommodate various anatomic areas and modes of compression.





Applications

Compression of fracture fragments or compression of bones for arthrodesis (e.g. subtalar arthrodesis, tibial plateau fracture, distal femur fracture, syndesmotic injury).

Allows for placement of solid or cannulated screws, sizes 3.5 mm through 7.3 mm, including:

- 3.5 mm Cannulated, 3.5 mm Low-Profile Cortex, and 3.5 mm Cortex
- 4.0 mm Cannulated and 4.0 mm Cortex
- 4.5 mm Headless Compression, 4.5 mm Cannulated, or 4.5 mm Cortex
- 6.5 mm Headless Compression, 6.5 mm Cannulated, or 6.5 mm Cancellous
- 7.0 mm Cannulated
- 7.3 mm Cannulated



Screw Targeting Clamp Set (01.211.046)

Refer to the Screw Targeting Clamp Reference Guide for detailed instructions for use.

WARNING: Federal Law restricts this device to sale by or on the order of a physician.

Some devices listed in this brochure may not have been licensed in accordance with Canadian law and may not be for sale in Canada.

Please contact your sales consultant for items approved in Canada.



PART OF THE **Johnson & Johnson** FAMILY OF COMPANIES

Manufactured by:
Synthes USA, LLC
1101 Synthes Avenue
Monument, CO 80132

To order (USA): 800-523-0322
To order (Canada): 844-243-4321

Note: For recognized manufacturer, refer to the product label.

jnmedicaldevices.com

© DePuy Synthes 2014, 2019. All rights reserved.
129038-191205 DSUS